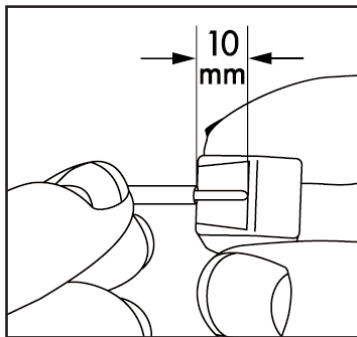
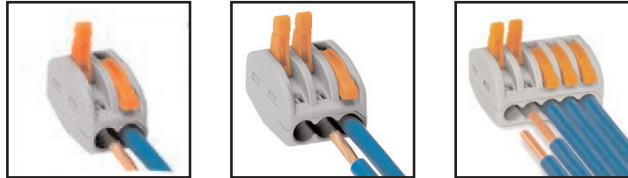


222 Series Junction Box connectors - for flexible conductors

QUICK - SIMPLE - EASY TO USE- SAFE

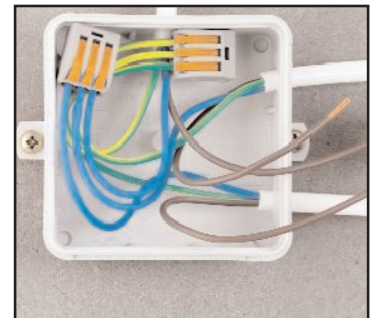
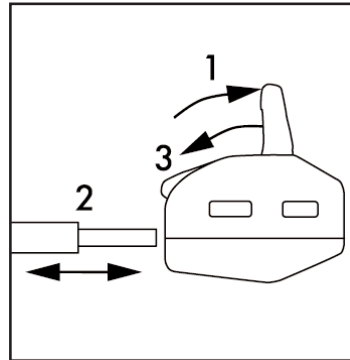
Suitable for the following
Conductor Sizes

0,08 – **2,5** mm² **Cu**
0,08 – **4** mm² **Cu**

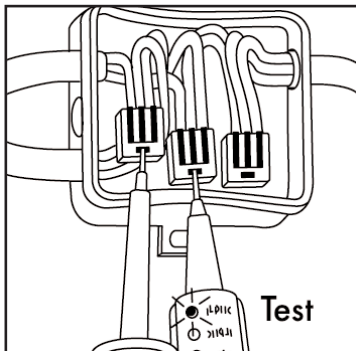


Strip the conductor
10mm

1. Lift orange lever
2. Insert conductor fully.
3. Close Lever

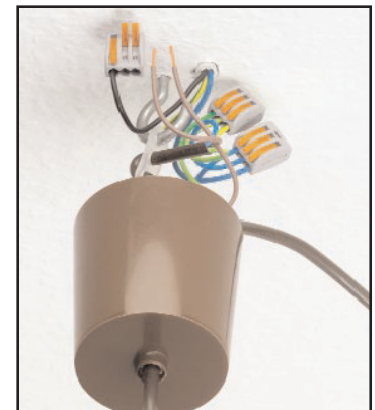
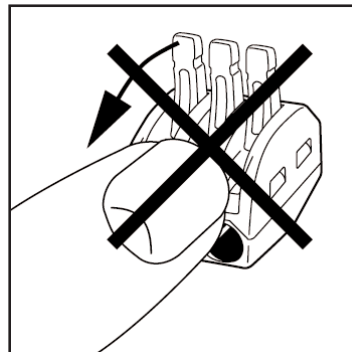


Ideal for wiring of all types
of conductors in junction
boxes.



Use testpoint to safely
test connectors

Be careful when
closing levers



Suitable for lighting and
power applications.



**222 Series available in 2,3 & 5 pole
Conductor connectors with levers
400V/4kV/2/32A**

